



5425 Nashville Road, Bowling Green, KY 42101  
p 270-746-9999 f 270-746-9170  
[www.tsperformance.com](http://www.tsperformance.com)

# WE ARE DIESEL



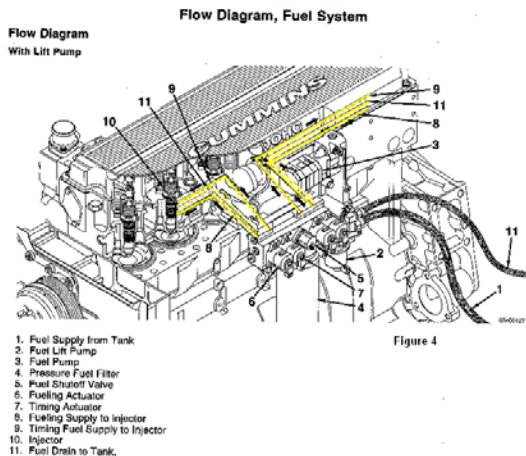
[WWW.TSPERFORMANCE.COM](http://WWW.TSPERFORMANCE.COM)





### TABLE OF CONTENTS

Contents .....PG.2  
 Installation.....PG.3-5  
 Operation.....PG.6  
 Updates.....PG.7  
 Troubleshooting.....PG.8



TS Performance looks forward to serving the technical needs you may run into, however, please review all instructions outlined here and go over all troubleshooting and updates before contacting TS Performance at 270-746-9999. The QSX/ISX power module has been tested under the most harsh conditions utilizing state of the art technology to deliver maximum performance and reliability.

### LIMITED LIFETIME WARRANTY STATEMENT POLICY

- The warranty policy is the best warranty within the high performance diesel industry.
- All **TS Performance** products have been inspected, tested and trial in the factory laboratories and on the field.
- Nothing in this Statement of Policy shall alter or enlarge the terms of warranties, obligation or liabilities of these products.
- TS Performance** is not responsible or liable for any products damaged or destroyed due to improper installation.

### TERMS OF WARRANTY

- The defective product must be freight prepaid and returned to **TS Performance** for further investigation, otherwise this warranty shall be deemed null and voided and of no effect.
- This warranty is void on any products that show evidence of misapplication, negligence, improper installation, and abuse, lack of proper maintenance or alternation from its original design.
- In no event will **TS Performance** be liable for any consequential or incidental damages for breach of any express or implied warranty on the product.
- This warranty is not transferable or assignable.

- TS Performance** is not responsible or liable for any products damaged or destroyed due to improper installation.

**IN THE EVENT THAT THE BUYER DOES NOT AGREE WITH THIS AGREEMENT: THE BUYER MAY PROMPTLY RETURN THIS PRODUCT IN A NEW ANDN UNUSED CONDITION WITH A DATED PROOF OF PURCHASE TO THE PLACE OF PURCHASE WITHIN TEN (10) DAYS FROM DATE OF PURCHASE FOR A FULL REFUND. THE INSTALLATION OF THIS PRODUCT INDICATES THAT THE BUYER HAS READ AND UNDERSTATNDNS THIS AGREEMENT AND ACCEPTST ITS TERMS AND CONDITONS**



TS Performance  
 5425 Nashville Rd  
 Bowling Green, KY 42101  
 270-746-9999

[www.TSPerformance.com](http://www.TSPerformance.com)

**DISCLAIMER**

**READ CAREFULLY BEFORE INSTALLING ANY TS PERFORMANCE PRODUCT**

REMEMBER THIS IS A HIGH PERFORMANCE PRODUCT. USE AT YOUR OWN RISK. FOR OFF ROAD USE ONLY.

**Do not use this product until you have carefully read the following agreement.** This agreement sets forth the terms and conditions for the use of the TS Performance product. The installation of this product indicates that the buyer has read and fully understands this agreement and accepts its terms and conditions.

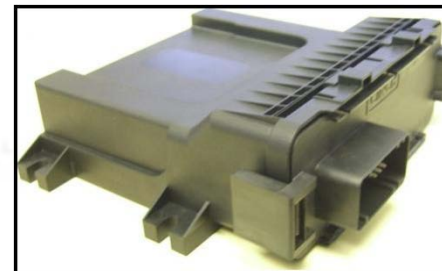
**DISCLAIMER OF LIABILITY**

TS Performance, its distributors or dealers shall in no way be responsible for the product's proper use and service. The buyer of this system hereby waives all liability claims. The buyer acknowledges that he is not relying on the seller's skill or judgment to select or furnish goods suitable for any particular purpose and that there are no liabilities which extend beyond the description on the face hereof, and the buyer hereby waives all remedies or liabilities, expressed or implied arising by law or otherwise, (including without obligations of the seller with respect fitness, merchantability and consequential damages) or whether or not occasioned by the seller's negligence.

The seller disclaims any warranty and expressly disclaims any liability for personal injury or damages. The buyer acknowledges and agrees that the disclaimer of any liability for personal injury is a material term for this agreement and the buyer agrees to indemnify the seller and to hold the seller harmless from any claim related to the item of the equipment purchased. Under no circumstances will the seller be liable for any damages or expenses by reason of use or sales of any such equipment.

The seller assumes no liability regarding the improper installation or misapplication of its products. It is the installer's responsibility to check for proper installation and if in doubt the manufacturer is to be contacted.

**Contents**



QSX/ISX Module



QSX/ISX Harness



Sticker, zip ties, velcro

Bowling Green, KY 42101  
 270-746-9999  
[www.tsperformance.com](http://www.tsperformance.com)

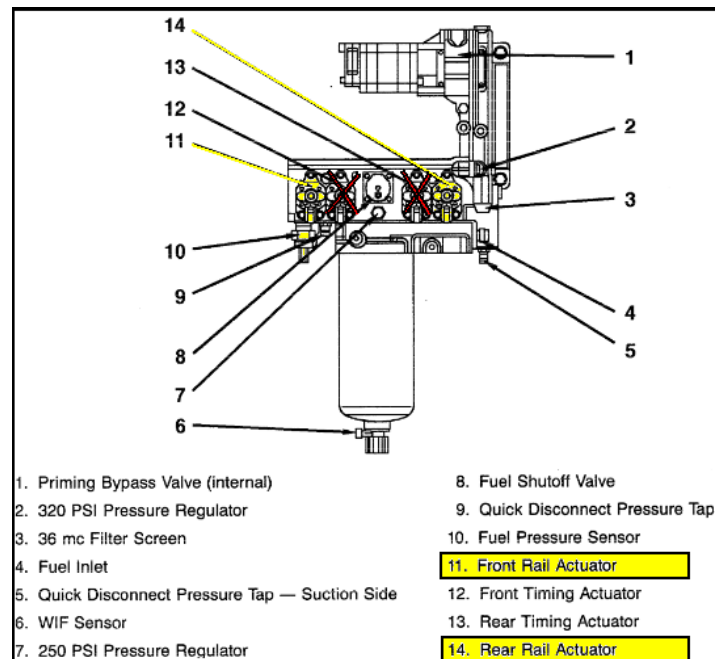
**ISX**

**QSX/ISX**



The ISX and QSX fuel system assembly is located on the intake side of the engine. There are four actuators that control the timing and fuel delivery. The two fueling actuators are where the TS Performance power module monitors these actuators and adds fuel economy and horsepower by optimizing the duration of fuel to each injector.

**4. Be sure the TS Performance fuel module connectors are plugged into the two outside FUELING ACTUATORS.**



**5. \*\*\*DO NOT plug the fueling module into the MIDDLE actuators, these are the TIMING actuators and will have adverse effects on your engine performance.\*\*\***

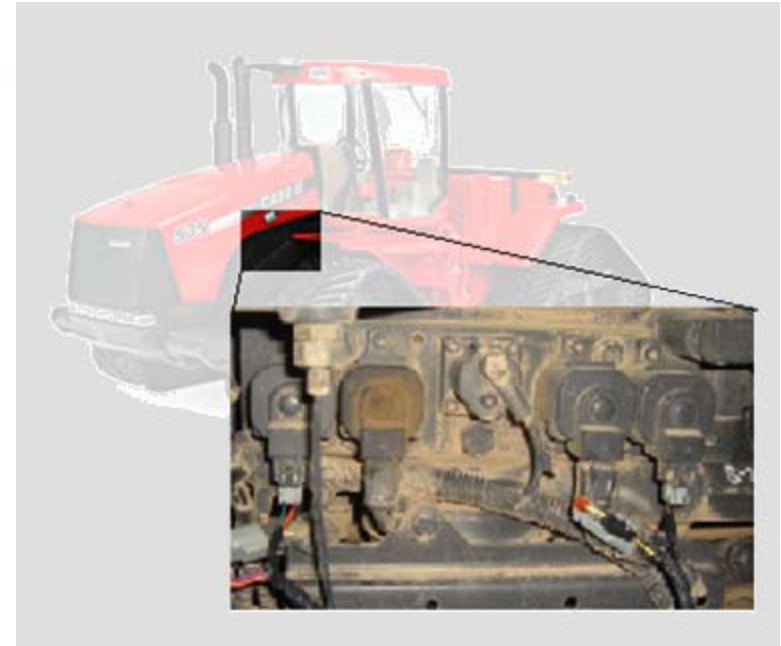
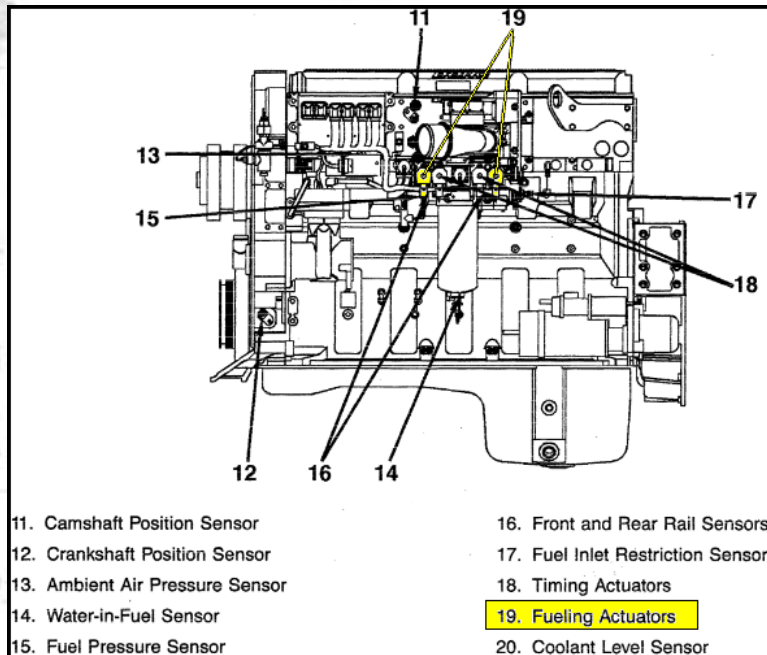
10000 Mile Road, Bowling Green, KY 40304  
 746-9999 | 270-746-9378  
[www.tsperformance.com](http://www.tsperformance.com)

**QSX/ISX**

**QSX**

**Troubleshooting Section**

1. Be sure you have nice clean +12 Volt power to **Red** wire with eyelet on fuel module
2. The Black wires on the module should be routed to a good clean chassis ground.



3. The **FUELING ACTUATORS** are highlighted (#19) in the picture above.

The TS Performance fuel enhancement module must be powered to 12 volt battery and ground. The connections to the actuators are plug & play for an easy installation while increasing horsepower, torque, and fuel economy.

3437 Newville Road, Bowling Green, OH 43401  
 P 270-746-9999 F 270-746-9170  
[www.tsperformance.com](http://www.tsperformance.com)



## QSX/ISX

### Mounting location

1. You can mount the QSX/ISX module anywhere away from extreme environments. There's plenty of room in the harness to mount away from heat. The area just above the distribution pump has served for a great mounting location using the supplied zip ties and/or velcro. Just be sure the module is tightly secured to prevent damage.



## QSX/ISX

BLANK PAGE

BLANK PAGE

BLANK PAGE

BLANK PAGE

BLANK PAGE

BLANK PAGE

BLANK PAGE

BLANK PAGE

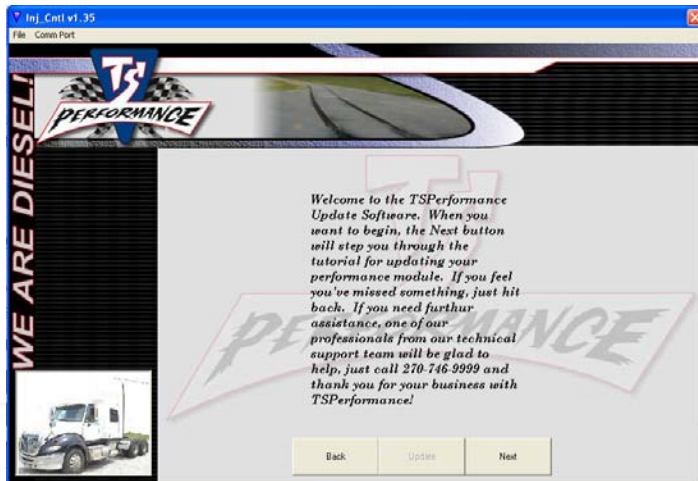
BLANK PAGE

**QSX/ISX**

**QSX/ISX**

**UPDATE SECTION**

With changes being made every year to engine parameters and EPA restrictions, TS Performance has developed an online Updater so your fuel module will never be out dated. The Updater is located on our website. Utilizing the internet allows your module to be updated with no CD's or hardware to be mailed back and forth. TS Performance fuel modules are designed to change with an ever changing industry so your vehicle will timeout before your TS Performance purchase.



**\*\*\*Need help or more info??? Call: 270 -746-9999\*\*\***

**Power**

1. Route the **RED** power wire from the module to clean 12 Volts, usually wired to the alternator on the passenger side of the vehicle.

**Ground**

2. Route the **BLACK** ground wires from the module to clean chassis ground or directly to battery, usually the alternator on the passenger side of the vehicle is sufficient and easily accessed.

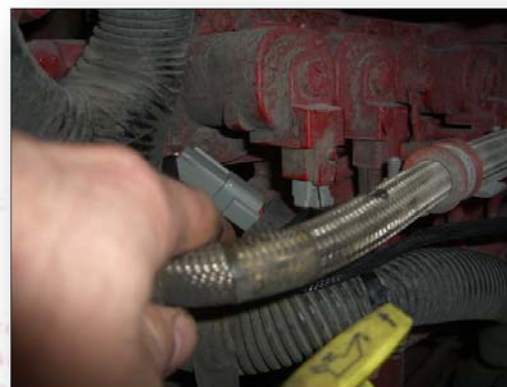
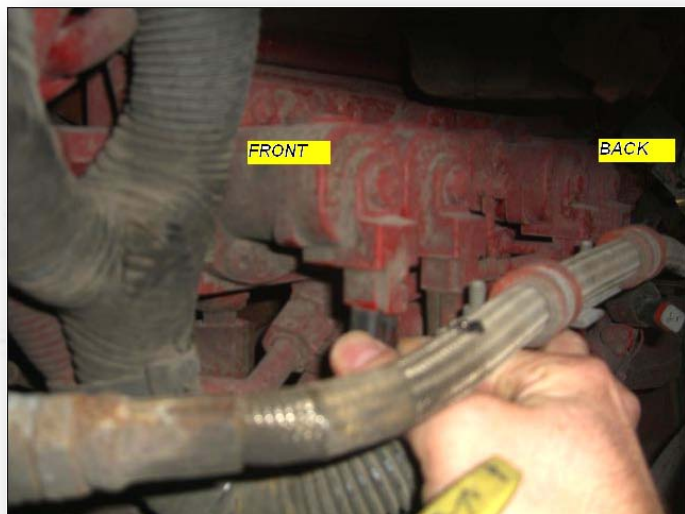


5425 Nashville Road, Bowling Green, TN 38801  
 270-746-9999 f 270-746-9170  
[www.tsperformance.com](http://www.tsperformance.com)

**QSX/ISX**

**Fueling Actuator Connections:**

1. Locate the fueling actuators on the drivers side of the engine. Refer to pages 3 and 4 for a location pictures to find these actuators.
2. The front and back actuators are where the signals will be intercepted. Disconnect the two pin connectors from the actuators illustrated in the following pictures.



**QSX/ISX**

3. The connection is Plug & Play. Just disconnect the two pin connectors, plug our connectors into the actuators, then plug the factory harness to our harness.