



TS PERFORMANCE

WE ARE DIESEL



Power Play MP-8

**1110201, 1110202
LB7 & LLY Duramax**

Thank you for buying the MP-8 for the Duramax Light Duty. Here you will learn how to install this MP-8 into your truck, and we guarantee that you will be satisfied with our product. Before you get started check to make sure that you have everything below in the contents that came in the box.

Installation Manual

Contents:

MP-8 Module	Harness (TSP01DU)
Switch (TSP100)	Velcro (1)
Zip Ties (2)	Shim Kit
Shim Kit Instructions	

- HP increase of up to 100hp
- Decrease Fuel Consumption
- On-The-Fly Adjustable
- When removed leaves no trace of modification or foot prints
- Power increases as you turn the switch clockwise

Continued

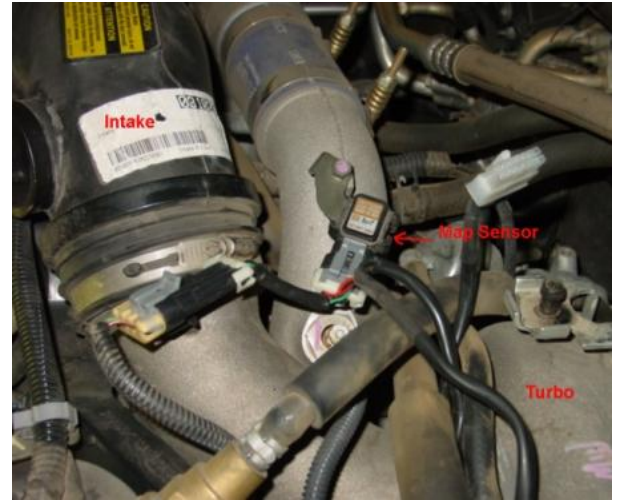
Installation of TS Performance Power Play MP-8

6.6 Duramax LB7 & LLY

Read all instructions and fully understand them before installing your TS Performance MP-8 module. Disconnect battery terminals and remove keys from the ignition before installation. Place Di-Electric Grease onto every electrical connection.

1. Find the proper location for mounting the module itself. This should be a dry location using the supplied Velcro to securely mount it.
2. Route the switch wire through the firewall to the MP-8. We recommend making a small hole in a boot and running the wire through there. Make sure not to cut any wires when making the hole.
3. Locate the MAP Sensor. The connector will be a three pin connector as seen in the picture. Use the supplied connectors and plug into the MAP Sensor and factory harness.
4. On the LB7 engine the MAP Sensor is located under the air intake cover, on top of the engine as pictured above. You will need to remove the intake tube and intake box.
5. On the LLY engine the MAP Sensor is located behind the AC Compressor. You will need to remove the belt and remove the (4) 15mm bolts holding the Compressor in place.
Do not remove the lines going to the compressor. After removing the bolts simply set the compressor to the side.

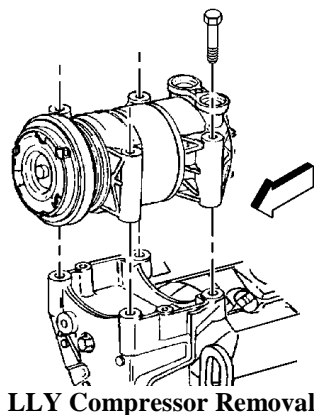
You will now see a three pin connector that goes into the MAP Sensor. Disconnect the harness and plug our supplied harness into the MAP Sensor and the factory harness. Now reattach the AC Compressor with the factory bolts and put belt back on.



LB7 MAP Sensor



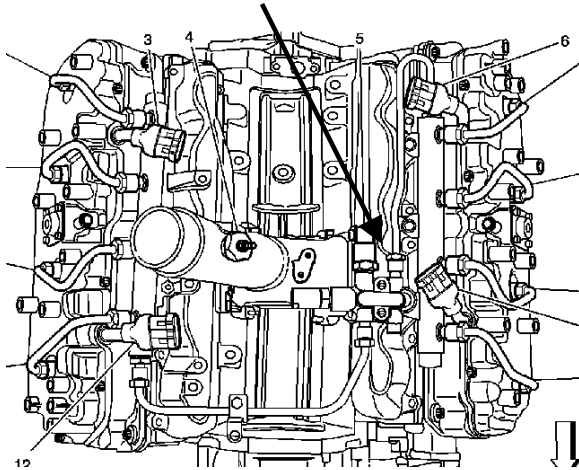
LLY MAP Sensor



LLY Compressor Removal

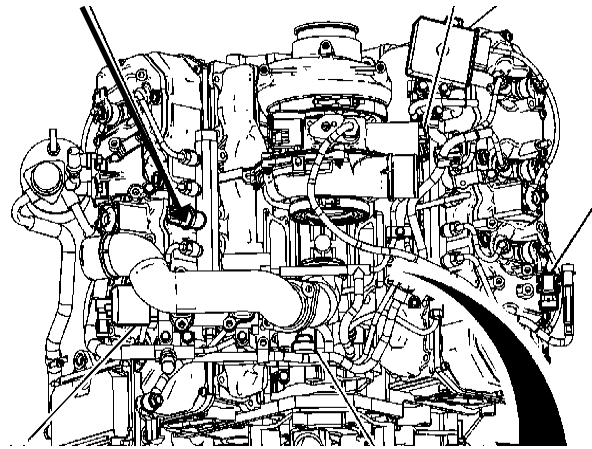
Continued

Fuel Rail Pressure



LB7 ENGINE

Fuel Rail Pressure



LLY ENGINE

6. Now you will need to locate the Fuel Pressure Sensor.
7. On the LB7 engine the Fuel Pressure Sensor is located in front of the “Y” Pipe coming off the turbo in the valley of the intake. To access the connector remove the intercooler tube on the driver’s side. The connector will be just below the intercooler tube. Disconnect it and plug our module in line. Now reattach the intercooler tube.
8. On the LLY engine the Fuel Pressure Sensor is located under the air intake tube on the passenger’s side of the engine as pictured above. Disconnect the connections and plug our module in line.
9. Now you need to decide where you want to mount your adjustable switch. We suggest using the area just to the left of the airbag shut-off switch. If you do not want to drill your dash you can also hang the switch beside the steering column.



LLY Fuel Rail Pressure Sensor

A Shim Kit must also be installed when installing the MP-8 module on the 04.5-05 LLY engine. If the shim kit is not installed correctly it can set a Check Engine Light. Your Shim Kit Instructions are listed in a separate set of instructions.



If there are any questions on the product or installation of the module give us a call at TS Performance (270) 746-9999

Continued



TS Performance
851 Lovers Ln
Bowling Green, KY 42103
270-746-9999
www.tsperformance.com

DISCLAIMER

READ CAREFULLY BEFORE INSTALLING ANY TS PERFORMANCE PRODUCT

REMEMBER THIS IS A HIGH PERFORMANCE PRODUCT. USE AT YOUR OWN RISK. FOR OFF ROAD USE ONLY.

Do not use this product until you have carefully read the following agreement. This agreement sets forth the terms and conditions for the use of the TS Performance product. The installation of this product indicates that the buyer has read and fully understands this agreement and accepts its terms and conditions.

DISCLAIMER OF LIABILITY

TS Performance, its distributors or dealers shall in no way be responsible for the product's proper use and service. The buyer of this system hereby waives all liability claims. The buyer acknowledges that he is not relying on the seller's skill or judgment to select or furnish goods suitable for any particular purpose and that there are no liabilities which extend beyond the description on the face hereof, and the buyer hereby waives all remedies or liabilities, expressed or implied arising by law or otherwise, (including without obligations of the seller with respect to fitness, merchantability and consequential damages) or whether or not occasioned by the seller's negligence.

The seller disclaims any warranty and expressly disclaims any liability for personal injury or damages. The buyer acknowledges and agrees that the disclaimer of any liability for personal injury is a material term for this agreement and the buyer agrees to indemnify the seller and to hold the seller harmless from any claim related to the item of the equipment purchased. Under no circumstances will the seller be liable for any damages or expenses by reason of use or sales of any such equipment.

The seller assumes no liability regarding the improper installation or misapplication of its products. It is the installer's responsibility to check for proper installation and if in doubt the manufacturer is to be contacted.

LIMITED LIFETIME WARRANTY

STATEMENT POLICY

- The warranty policy is the best warranty within the high performance diesel industry.
- All **TS Performance** products have been inspected, tested and trial in the factory laboratories and on the field.
- Nothing in this Statement of Policy shall alter or enlarge the terms of warranties, obligation or liabilities of these products.
- **TS Performance** is not responsible or liable for any products damaged or destroyed due to improper installation.

TERMS OF WARRANTY

- The defective product must be freight prepaid and returned to **TS Performance** for further investigation, otherwise this warranty shall be deemed null and voided and of no effect.
- This warranty is void on any products that show evidence of misapplication, negligence, improper installation, and abuse, lack of proper maintenance or alternation from its original design.
- In no event will **TS Performance** be liable for any consequential or incidental damages for breach of any express or implied warranty on the product.
- This warranty is not transferable or assignable.
- **TS Performance** is not responsible or liable for any products damaged or destroyed due to improper installation.

IN THE EVENT THAT THE BUYER DOES NOT AGREE WITH THIS AGREEMENT: THE BUYER MAY PROMPTLY RETURN THIS PRODUCT IN A NEW AND UNUSED CONDITION WITH A DATED PROOF OF PURCHASE TO THE PLACE OF PURCHASE WITHIN TEN (10) DAYS FROM DATE OF PURCHASE FOR A FULL REFUND.